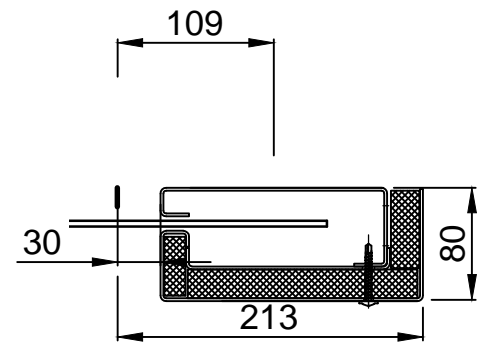
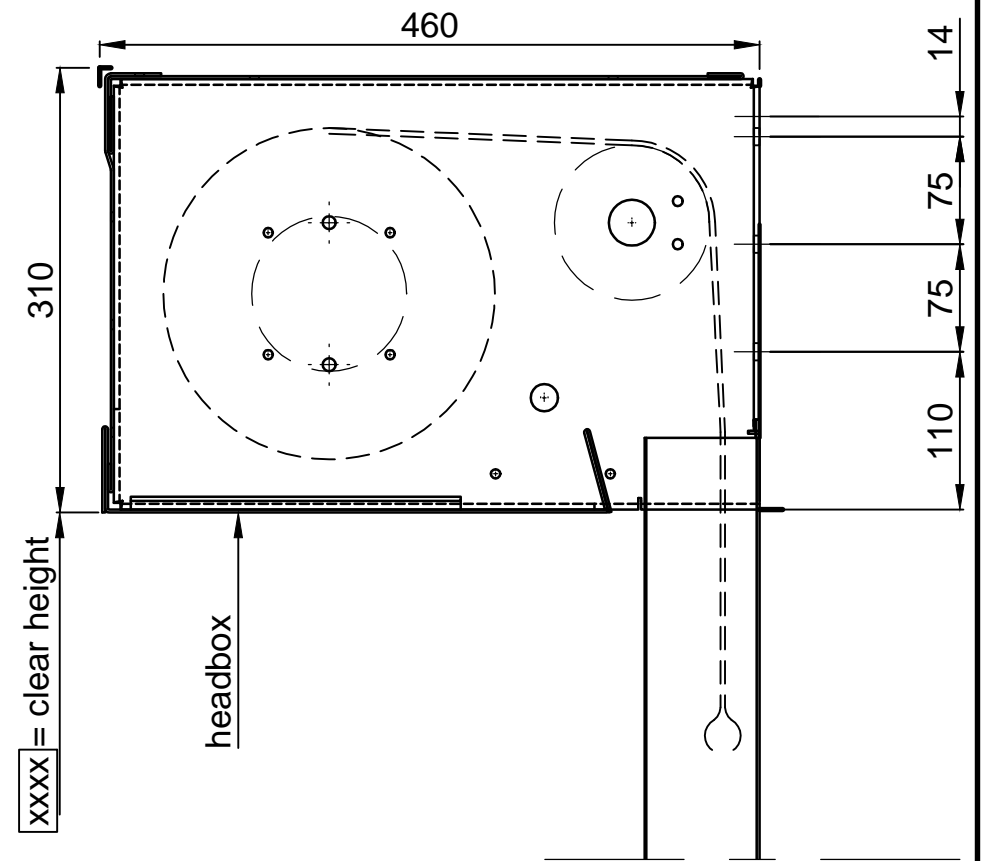


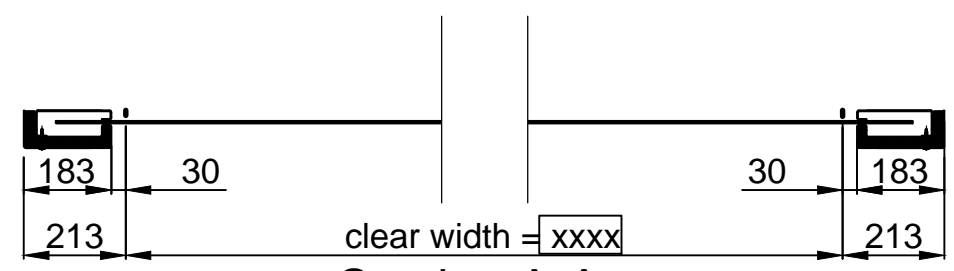
Control Box
Key Switch

Hoefnagels Branddeuren Tilburg
FINAL

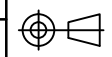



- To be ensured by the client:
- * within 1 meter of the control, an electric outlet.
 - * sufficient solid mounting area, which is fire-retardant.
 - * walls flat and right angled, without obstructions.
 - * lintel, above the clear opening, in one surface with wall
 - * concrete floor flat and level

Doornummer: BPR0xxxx -001
Weight Firescreen about = xxx Kg
guides rails + headbox + consoles
RALGalvanised steel



Section A-A

Drawn by: RP	Date: 19-11-2014	Principal:	
Unit: mm	Tol.: ISO 2768-mk	Project:	
Scale: 1:15 1:5	Proj.: 	Format: A3	Title:
Mass:			Firescreen Tx Elxx headbox type I (dim. 310x460)
P.O. Box 5036, 5004 EA Tilburg The Netherlands T +31 (0)13 462 5959 www.hoefnagels.com F +31 (0)13 467 0371 info@hoefnagels.com		Project no.: BPR0	Drawing no.: 1
		Rev. no.: 1	Sheet: v